

VOLUME CONTROL TA-8810



FEATURES

The TechAudio TA-8810 5W Volume Controls has been designed to meet the most demanding professional Public Address application.

The panel is made of high impact ABS plastic.

With panel size equivalent to MK 1 gang plate (86mm W x 86mm H x 15mm D) for installation in standard flush or surface mounting back box.

The output sound level is adjustable via the rotary knob with 6 steps of output level attenuation.

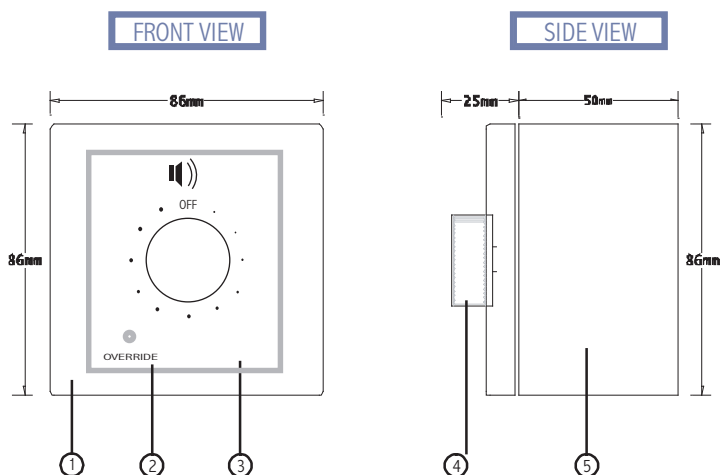
Provision of an emergency overriding relay (24VDC) allows paging / announcement to bypass the selected volume setting and automatically set the sound output level to the maximum.

TECHNICAL SPECIFICATIONS

Model	Rated Power	Attenuation		Depth	Weight w/o back
		Type	dB/ Step		
TA-8810	5W	Resistance	3-5	12mm	100g
TA-8811	10W	Auto-Transformer	3	40mm	360g
TA-8812	25W	Auto-Transformer	3	45mm	370g
TA-8813	50W	Auto-Transformer	3	45mm	375g
TA-8815	100W	Auto-Transformer	3	45mm	390g

Note: The Specifications are subject to change without prior notice.

PHYSICAL



- ① ABS plastic frame
- ② Reverse silkscreened wording/symbol
- ③ Face Plate with ABS plastic
- ④ Rotary Knob (for volume level adjustment)
- ⑤ Embedding Back Box