

# EMWT-720 Horn Speaker



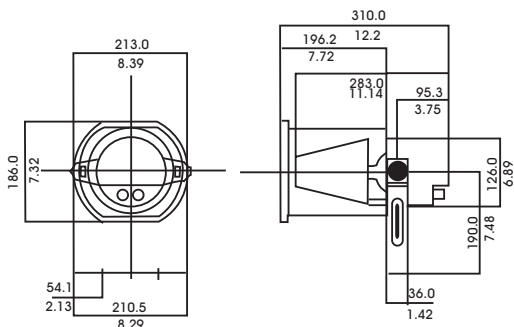
The **EMIX** EMWT-720 high efficient horn loudspeaker provides excellent speech reproduction and sound distribution for a wide scope of indoor and outdoor (shaded) applications. Among such venues are schools, mosques, car parks, exhibitions halls and factories. The horn flare, which is the integral part of the speaker, is made with high quality ABS plastic thus delivering satisfactory sound reproduction for PA applications.

## Features

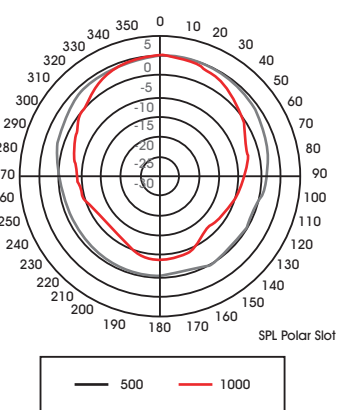
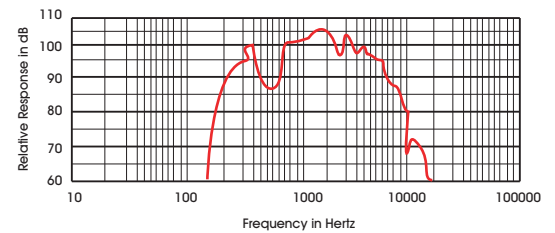
- > Compact paging horn speaker, excellent for speech intelligibility
- > Equipped with a swivel mounting bracket and a 100V / 70V line matching transformer
- > Easy selectable power tapings via a multi-core cable
- > Frequency response of unit designed to emphasise on the vocal range for optimum speech intelligibility

Model	EMWT-720
Power Rating	15W 100V line
Impedance Power	Black Com, White - 670 ohm (15W)
Frequency Response	250Hz - 8KHz
SPL(1W/m @ 1 KHz)	103 dB
Flare Material	ABS Plastic
Diameter	16cm x 22cm
Weight	0.8kg
Colour	White

## Dimensions



## Frequency Response Graph



## Side View

