

Wall Mount Speaker EMWS-882W / EMWS-883W / EMWS-884W



EMIX Wall Mount speaker offer a combination of quality, performance and innovation in public address. It is designed for situation where both quality speech and music reproduction typically is fix-installed in conference rooms, community centers, F&B outlet and multipurpose halls.

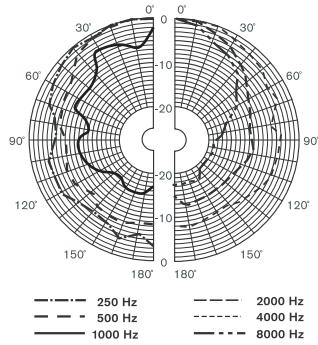
EMIX 2 way full rang speaker deliver professional performance from a compact robust enclosure. They are developed to meet the increasing demands for high quality background music reproduction in indoor applications.

FEATURES

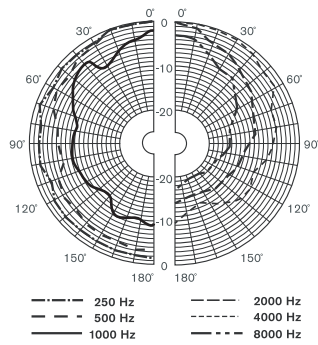
- Supplied with wall mounting bracket for horizontal and vertical adjustment
- Simple power setting with vari-tap switch for 8ohms and 100V line input
- Made of high quality engineering plastic, long term durability, never out of shape and colour never fade
- With high sensitivity speakers for long life, clear and sonorous sound

SPECIFICATIONS	EMWS-882W	EMWS-883W	EMWS-884W
Driver Unit	4" x 1, 1" x 1	5" x 1, 1" x 1	6" x 1, 1" x 1
Power @ 100V	5W, 10W, 20W	8W, 15W, 30W	10W, 20W, 40W
Power @ 4Ω	20W	30W	40W
Freq. Response	95Hz - 20kHz	80Hz – 20kHz	65Hz – 20kHz
Max. SPL	103±2dB	104±2dB	107±2dB
Sensitivity	90±2dB	90±2dB	91±2dB
Material	Housing: ABS, Black Grille: Aluminum, Black		
Dimension (W x H x D)	170 x 255 x 176mm	185 x 280 x 194mm	203 x 310 x 215mm
Weight	2.64kg	3.2kg	4.6kg

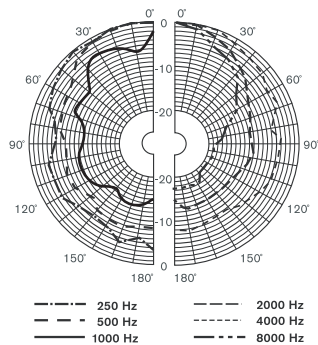
Wall Mount Speaker EMWS-882W / EMWS-883W / EMWS-884W



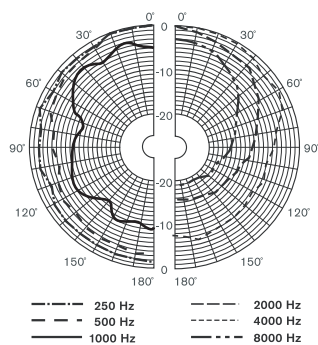
EMWS 882
Vertical directivity pattern



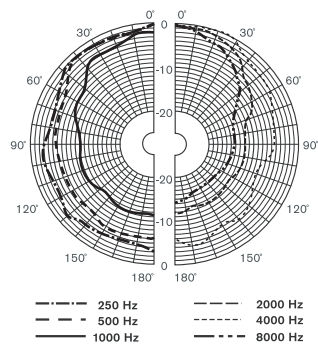
EMWS 882
Horizontal directivity pattern



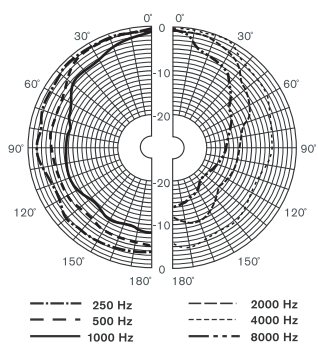
EMWS 883
Vertical directivity pattern



EMWS 883
Horizontal directivity pattern

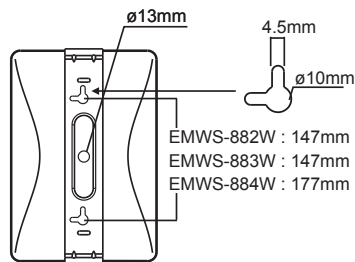


EMWS 884
Vertical directivity pattern

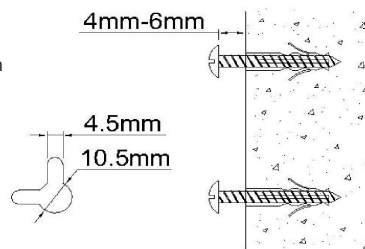


EMWS 884
Horizontal directivity pattern

Hanging hole

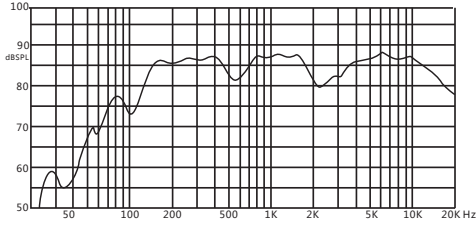


Nail For Mounting

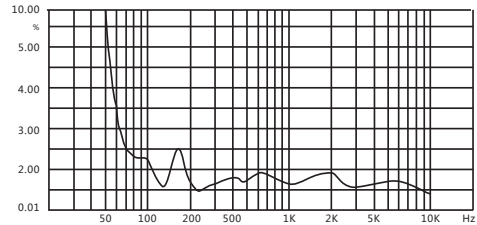


Wall Mount Speaker **EMWS-882W / EMWS-883W / EMWS-884W**

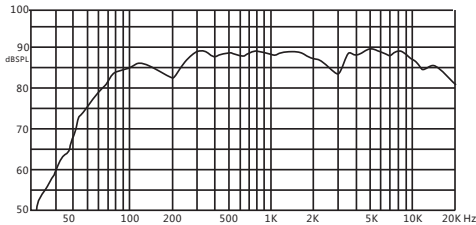
EMWS 882
Frequency response characteristics
(dB SPL, 1W, 1m)



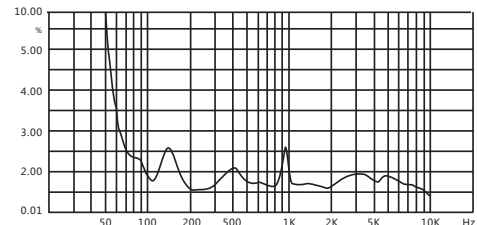
EMWS 882
Distortion characteristic
(THD<5% 1W, 1m, 100Hz-10kHz)



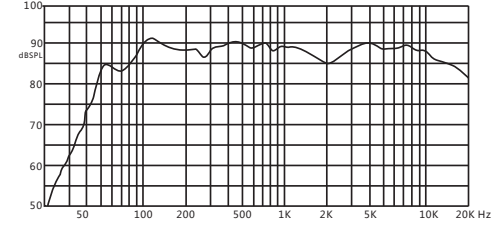
EMWS 883
Frequency response characteristics
(dB SPL, 1W, 1m)



EMWS 883
Distortion characteristic
(THD<5% 1W, 1m, 100Hz-10kHz)



EMWS 884
Frequency response characteristics
(dB SPL, 1W, 1m)



EMWS 884
Distortion characteristic
(THD<5% 1W, 1m, 100Hz-10kHz)

