

## EMWS-331W/332W/333W Wall Mount Speaker System



**EMIX** Box Speakers offer a combination of quality, performance and innovation in public address. It is designed for situation where both high quality speech and music reproduction typically is fixed installed in conference rooms, community centers, F&B outlets and multipurpose halls.

**EMIX** 2 way full range speakers deliver professional performance from a compact robust enclosure. They are developed to meet the increasing demands for high quality background music reproduction in indoor applications.

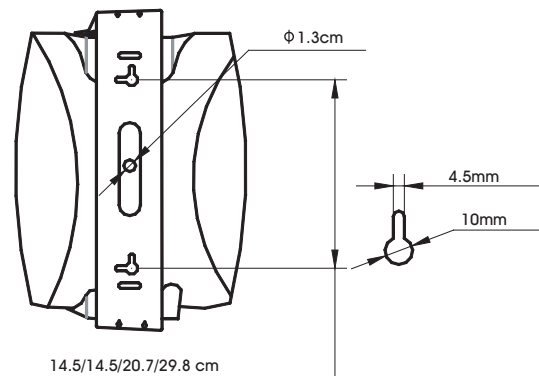
### Features

- > Supplied with wall mounting bracket for horizontal and vertical adjustment.
- > Simple power setting with vari-tap switch for 8ohms and 100V line input.
- > Made of high quality engineering plastic, long term durability, never out of shape and colour never fade.
- > With high sensitivity speakers for long life, clear and sonorous sound.

### Installation Diagram



### Hanging Hole



Model	EMWS-331W	EMWS-332W	EMWS-333W
Driver Components	4.5" x 1"	5.5" x 1"	6.5" x 1"
Rated Power	20W	30W	40W
Tapping Wattage	20W/10W/5W/OFF/8Ω	30W/15W/8W/OFF/8Ω	40W/20W/10W/OFF/8Ω
Line Voltage / Rated Impedance	70-100V / 8Ω	70-100V / 8Ω	70-100V / 8Ω
Sensitivity (1m,1W)	89dB	90dB	91dB
Freq. Response	80-20,000Hz	75-20,000Hz	70-20,000Hz
Color	Black	Black	Black
Dimensions	215 x 170 x 150mm	242 x 182 x 162mm	284 x 215 x 189mm
Weight	2.2kg	3kg	3.5kg

\*Specifications and design are subjected to change without notice for improvements.