

EMSQ-8022

6 Channel Sequential Switcher



Product Descriptions

EMSQ-8022 is designed to prevent high current surge while switching ON all the equipment at the same time. In operation, the sequential switcher will switch ON equipment one by one in ascending order and switch OFF the equipment in descending order. The interval ON/OFF time can adjust from 1 to 120 seconds. Immediate pause and resume is possible during switching. Manually select to switch on specific equipment is possible. There is a remote trigger port for

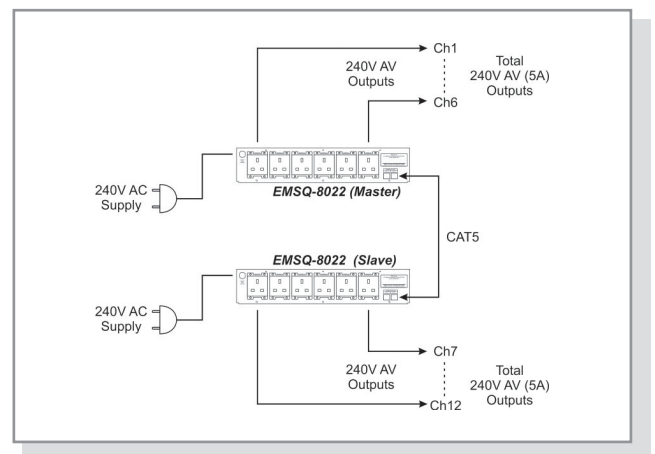
Features

- ❑ 6 channels British standard 240V AC sockets
- ❑ Twin RJ-45 ports easy cascade linking
- ❑ Cascade up to 10 units to a total of 60 channels
- ❑ Built-in remote external trigger port
- ❑ Adjustable interval ON/OFF from 1 to 120 seconds
- ❑ Single button to start power ON sequence 1,2,3,4,5,6
- ❑ Single button to start power OFF sequence 6,5,4,3,2,1
- ❑ Immediate pause & resume is possible during switching
- ❑ Manually select specific equipment to switch ON/OFF/SKIP
- ❑ Internal fuse for overload & short circuit protection
- ❑ 2x16 character LCD to display ON/OFF status
- ❑ Microchip controller to simplify settings
- ❑ All switches ON/OFF/SKIP status are store in memory

Technical Specifications

Power Requirement	240V AC
Power Consumption	100mA at 240V AC (Standby)
Output Voltage	240V AC
Total Load	5A at 240V AC
Output Connectors	6 units British Standard Switch Socket
Cascade	10 units (EMSQ-8022), total 60 Channels
External Triggering	Yes
Interval Delay Time	1 to 120 seconds
Protection	Internal Fuse for Overload & Short circuit protection
Display	2x16 characters LCD to display device status
Dimension (WxHxD)	483mm x 45mm x 224mm (1U)
Weight	4.85 kg

Application Schematic



rear view

