

# EMPS-8024

## 24V DC Power Supply Unit



### Product Descriptions

EMPS-8024 is a 2 in 1 switching type 24V DC regulated power supply. In operation, the built-in Microchip controller constantly monitors the output voltage & current to assure that they are within limits. It protects against over voltage, over current and short circuits.

The supply voltage will automatically switch over to backup battery (24V) when mains power failure is detected. While running on backup battery, the supply output will be disconnected when the battery voltage falls below 18V; it is to prevent the battery from over drain. The LCD is also used as a Volt & Amp. Meter.

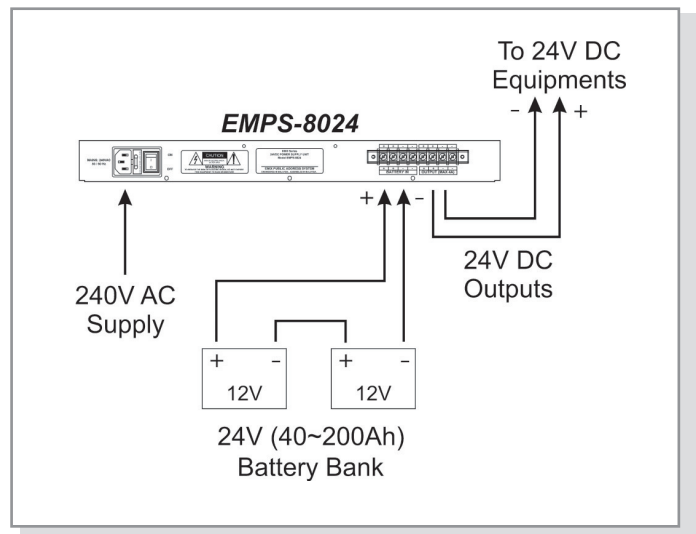
### Features

- Regulated 24VDC switching power supply
- Protects against over voltage, over current and short circuits
- Internal fuse protection with fused buzzer alert & on screen indicator
- Built-in Microchip controller constantly monitors output status
- 2x16 character LCD to display output voltage & current status
- Automatically switch over to battery backup mode when power failure detected
- Automatically disconnects battery when its voltage falls below 18vDC
- Low cut protection to prevent battery from over drain in backup mode
- Buzzer alert for internal fuse blows & battery in low cut
- Single touch TEST button to run simple system diagnostics

### Technical Specifications

Power Requirement	240Vac 50Hz
Power Consumption	100mA at 24VDC (Standby)
Output Voltage	24vDC regulated
Output current	MAX. 4A protected
Backup changeover	DPDT 5A relay (HQ)
Protections	Over Voltage, Over current Short circuit, internal fuse
Display	2x16 character LCD to display input voltage Battery voltage and fuse status
Terminals	Barrier connector for battery input & load
Dimensions (WxHxD)	483mm x 45mm x 224mm (1U)
Weight	3.7 kg

### Application Specifications



rear view

