



Professional Public Address System

# EMPA-3500 500W Power Amplifier



AMPLIFIER  
www.emix.com.my

The EMPA-3500 is a highly efficient 500W power amplifier that has balanced/unbalanced input and output. It has a built in temperature controlled fan for increase reliability and has the option of selecting the input sensitivity level (1V, 500mV and 100mV). The EMPA-3500 is built to be both functionally superior and physically robust and thus, very suitable for different configurations of public addressing system. Finally, the EMPA-3500 can be powered through the usual 240Vac or 24Vdc.

## FEATURES

### Input Sensitivity Setting

The Input Sensitivity can be altered to accept 1V, 500mV or 100mV input signal. The unit consists of a single channel input for both Balanced and Unbalanced signal in XLR connector and RCA sockets respectively.

### Various Impedance Speaker Output with Priority Input

Provide 100V and 70V line output with 8 Ohm low impedance speaker output through the rear terminal connector.

### Temperature Sensing Cooling Fan Operation

Built-in temperature sensing capability which controls the operation of the cooling fan. This would effectively prolong the lifespan of the amplifier.

### 240VAC and 24VDC Power Input (Dual Supply)

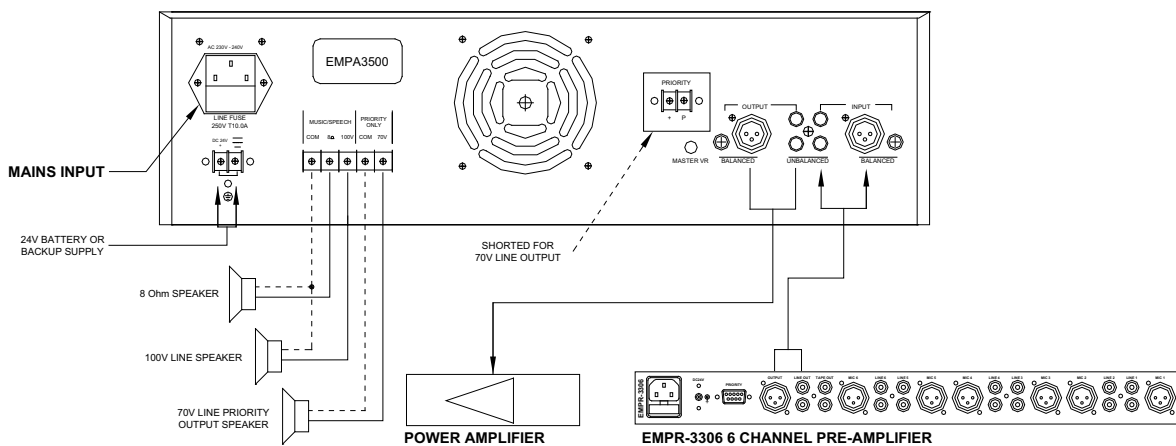
Accept 240VAC power input and 24VDC during battery backup.

### LED VU Meter Display

VU Meter LED Display of audio level allows visual monitoring of audio level at all times.

## TECHNICAL SPECIFICATIONS

Power Requirement	240VAC / 24VDC
Rated Output	500W
Maximum Output	720W
AC Power Consumption	1500W (At Maximum Output of 720W)
DC Current Consumption	32A
Total Harmonic Distortion	< 1% / 1Khz
Frequency Response	100Hz ~ 20Khz
Input	<ul style="list-style-type: none"> <li>Balanced X Lr, 1V, 47K<math>\Omega</math></li> <li>Unbalanced RCA Jack, 1V, 47K<math>\Omega</math></li> </ul>
Signal / Noise Ratio	> 80dB
Output	<ul style="list-style-type: none"> <li>100V Line(20 Ohm) - Terminal Connector</li> <li>70V Line (10 Ohm) - Terminal Connector</li> <li>8V Line Terminal Connector</li> <li>Line Output ( Unbalanced RCA Connector And Balanced XLR Connector )</li> </ul>
Cooling System	Fan Cooling With Temperature Sensing
Dimension (W X H X D)	430mm X 133mm X 365mm
Weight (Max)	25Kg
Front Panel Indicator	VU Meter For Line Output 5mm LED Power Indicator



Connection Diagram



Specifications and design are subjected to change without notice for improvements.

EMPA-3500 500W Power Amplifier