

EMLS-3305

Speaker Line Supervisory Unit



The EMLS-3305 Speaker Line Supervisory Unit is part of the **EMIX** range of Supervisory equipments that monitors the condition of connected speakers. The main functionality of EMLS-3305 is to detect for any fault in the network of connected speakers by verifying for 'SHORT' and 'OPEN' condition in the 100V line.

The EMLS-3305 provides both visual indication of fault in the form of tri-color LED and audio indication in the form of buzzer sound. Fault condition can also be monitored remotely through a dry contact and a RS485 serial communication. Finally, the EMLS-3305 can be powered through the usual 24Vdc.

Features

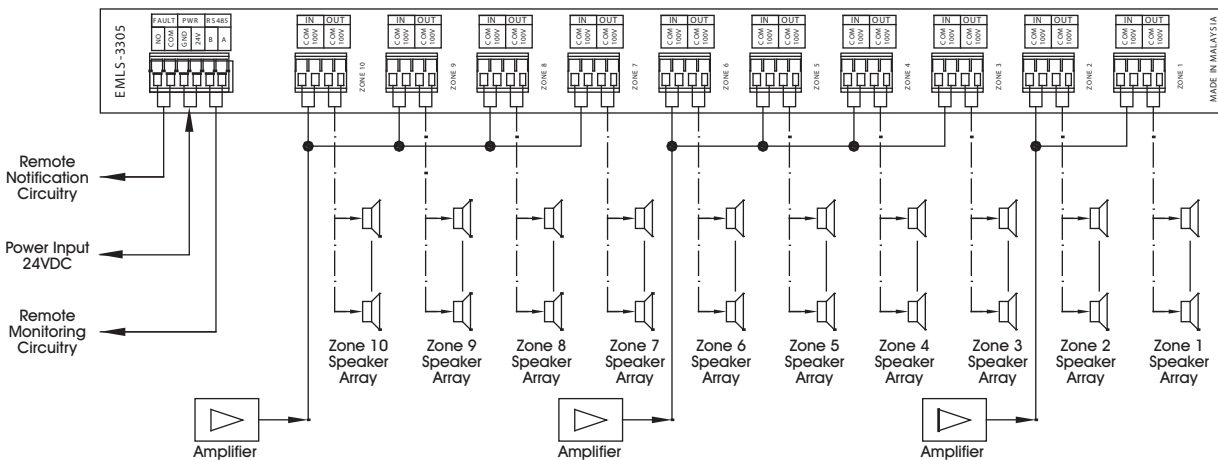
- > Monitors 10 Individual Speaker Zones
- > Notification Of Fault Condition
- > Test Button For Indicator Verification
- > Remote Monitoring

Model

EMLS-3305

Power Requirement	24VDC
Current Consumption	550mA
Dry Contact Rating (Fault)	5A
100V Line Current Handling	360W Per Zone
Number Of Speaker Zones	10
Output Connector	Pluggable Screw Type Terminal Block
Front Panel Control	2 Push Button (Lamp Test, Buzzer Muting)
Front Panel Indicator	5mm Tri-Color LED - 10 Zones 5mm LED - Normal, Short, Open Status
Dimension (W x H x D)	431 x 44.45 x 180mm
Weight (Max)	2kg

Schematic Diagram



Note 1 : All Speakers must be connected in a Daisy Chain topology within every respective Speaker Zone
 Note 2 : Refer to User Manual for detail inter connection