

# EMCS-904FP Ceiling Speaker



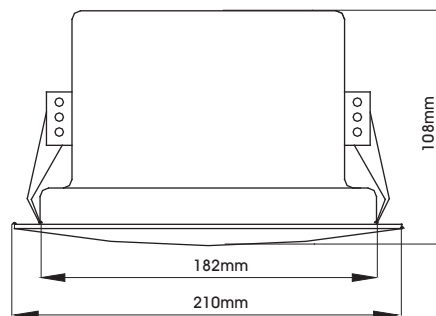
The EMCS-904FP 6.5" ceiling speaker offers high quality performance and wide frequency response. The speaker consists of a 6" diameter dual cone type with power rating of 6 watts. The wide range of the frequency produces a sound quality with low distortion. The frequency response of this speaker is in the range from 200Hz to 14KHz resulting in a wide uniform coverage of 120 degrees thereby producing an excellent sound reproduction for vocal and music for a wider coverage area.

## Features

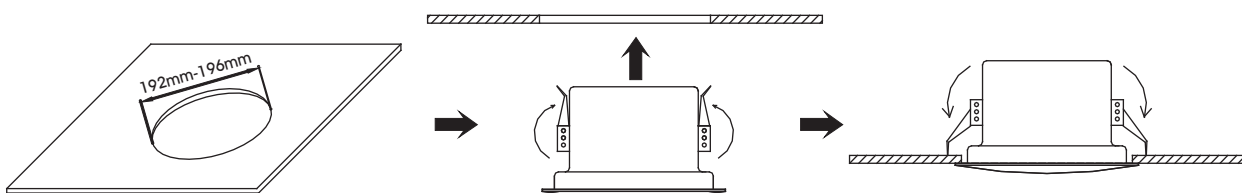
- > It is made of high-class steel and formed by stamping
- > Equipped with wire leading case which is fireproof
- > Voltage 100V, 1-6W with multiple terminals, suitable for different field
- > Max. Sound Pressure Level  $100 \pm 2$ dB, Effective Freq. Range 200Hz - 14kHz
- > Weight 1.6 kg. Equipped with clamps for mounting
- > With high sensitivity speaker unit ( $92 \pm 2$ dB), long life, clear and sonorous sound

Model	EMCS-904FP
Speaker Size	6.5" x 1
Input Power (Tappings)	1W - 2W - 3W - 6W
Line Voltage	70 - 100V
Sensitivity (1m, 1W)	92dB
Max Sound Pressure Level (1m)	100dB
Frequency Response	200-14,000Hz
Hole for Mounting	$\phi 192 \times \phi 196$ mm
Dimensions	115 x $\phi 210$ mm
Weight	1.6kg

## Dimensions



## Installation



\*Specifications and design are subjected to change without notice for improvements.