

# EMCS-643 Ceiling Speaker

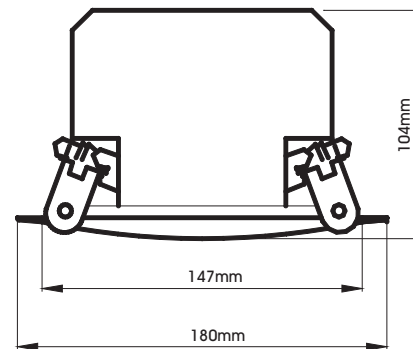


## Features

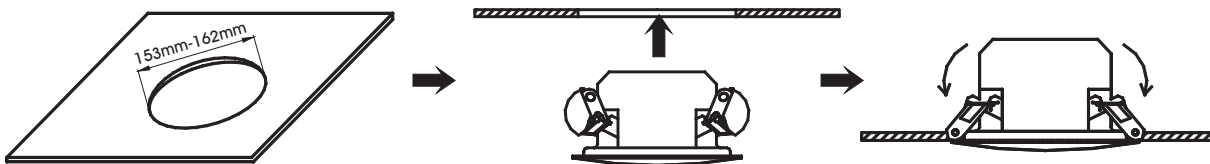
- > Made of high-class steel and formed by stamping
- > 100V, 1 ~ 6W with multiple terminals, suited for different field
- > Max. Sound Pressure Level  $95 \pm 2\text{dB}$ , Effective Freq. Range 90Hz ~ 15kHz
- > Weight 0.7 kg. Equipped with clamps for mounting convenience
- > Driver surround excellent damping, high sensitivity  $89 \pm 2\text{dB}$ , long life, clear and sonorous sound

Model	EMCS-643
Full Range Speaker/HF Driver	4.5" x 1
Power RMS	1W - 2W - 3W - 6W
Line Voltage Input	100V
Sensitivity (1W/ Rated at 1m)	$89\text{dB} \pm 2\text{dB}$
Max Sound Pressure Level (1m)	$95\text{dB} \pm 2\text{dB}$
Frequency Response	90-15,000Hz
Dimensions (L x H x W)	$\phi 180 \times 100\text{mm}$
Hole Size - Installation	$\phi 153 \times \phi 160\text{mm}$
Weight	0.7kg

## Dimensions



## Installation



\*Specifications and design are subjected to change without notice for improvements.