

# EMAM-8008

## 6 Channel Amplifier Monitor Panel



### Product Descriptions

EMAM-8008 is a 6 channel 100v line speaker monitor unit. Inside the device there is a speaker for listening to the sound quality of each channel. Further more, there is a 2x20 character Liquid Crystal Display (LCD) for visually monitoring the output status of all 6 channels at the same time.

In operation, the device can be set to Silent Mode (visual) or Listening Mode (speaker). It is possible to adjust the loudness of each selector channel with the digital volume control buttons at the front panel. In silent mode, the LCD is programmed to work like an Audio Level Meter.

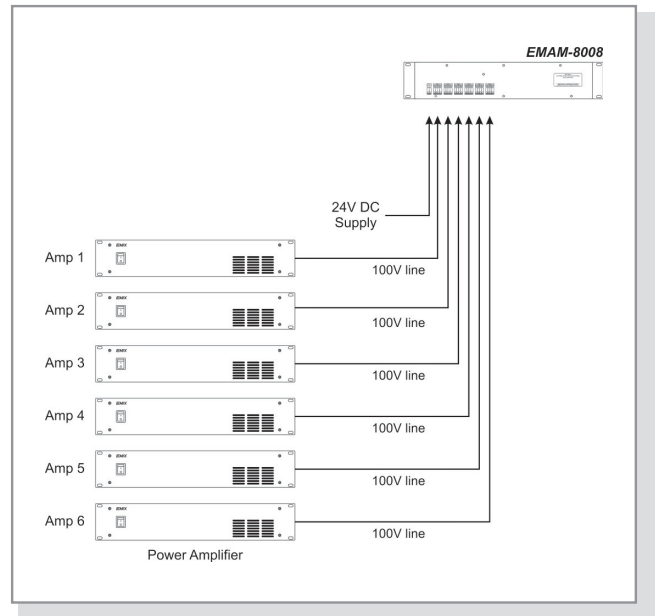
### Features

- 6 inputs for 100v line speaker monitoring
- 6 steps digital volume control for individual channel
- 2 selectable monitor modes (visual/listening mode)
- Visual mode to silently monitor all the 6 channels at once
- Listen mode to listen to the individual sound through the speaker
- Built-in Microchip controller simplifies operations
- 2x20 LCD to display Level Meter & Volume Level indicator
- Front panel 2 button digital volume control
- Built-in High Quality 100v line speaker for listening

### Technical Specifications

Power Requirement	24V DC
Power Consumption	100mA at 24V DC (Standby)
Amplifier Inputs	6 Channels (100V line)
Audio Monitoring	3W speaker with 6 steps digital volume control
Display	2 x 20 characters LCD to display Level Meter & Volume Level
Dimensions (WxHxD)	483mm x 88mm x 268mm (2U)
Weight	4.6 kg

### Application Schematic



rear view

