



Professional Public Address System

EMAM-3308 Amplifier Monitor Panel



The EMIX Amplifier Monitor Panel (EMAM-3308) are use to manually monitor the audio output of connected amplifiers. A maximum of 6 amplifiers can be connected to the amplifier monitor panel. Users are able to listen to the actual audio output of the amplifier through the inbuilt speaker. The EMAM-3308 Amplifier Monitor Panel can be integrated, effortlessly with other EMIX range of public announcement equipments and function as a monitoring tool for maintenance purposes.

FEATURES

Monitoring of 6 Amplifiers

User can select from any of the six amplifiers and monitor the audio sound from the respective amplifiers.

Adjustment of Output Volume

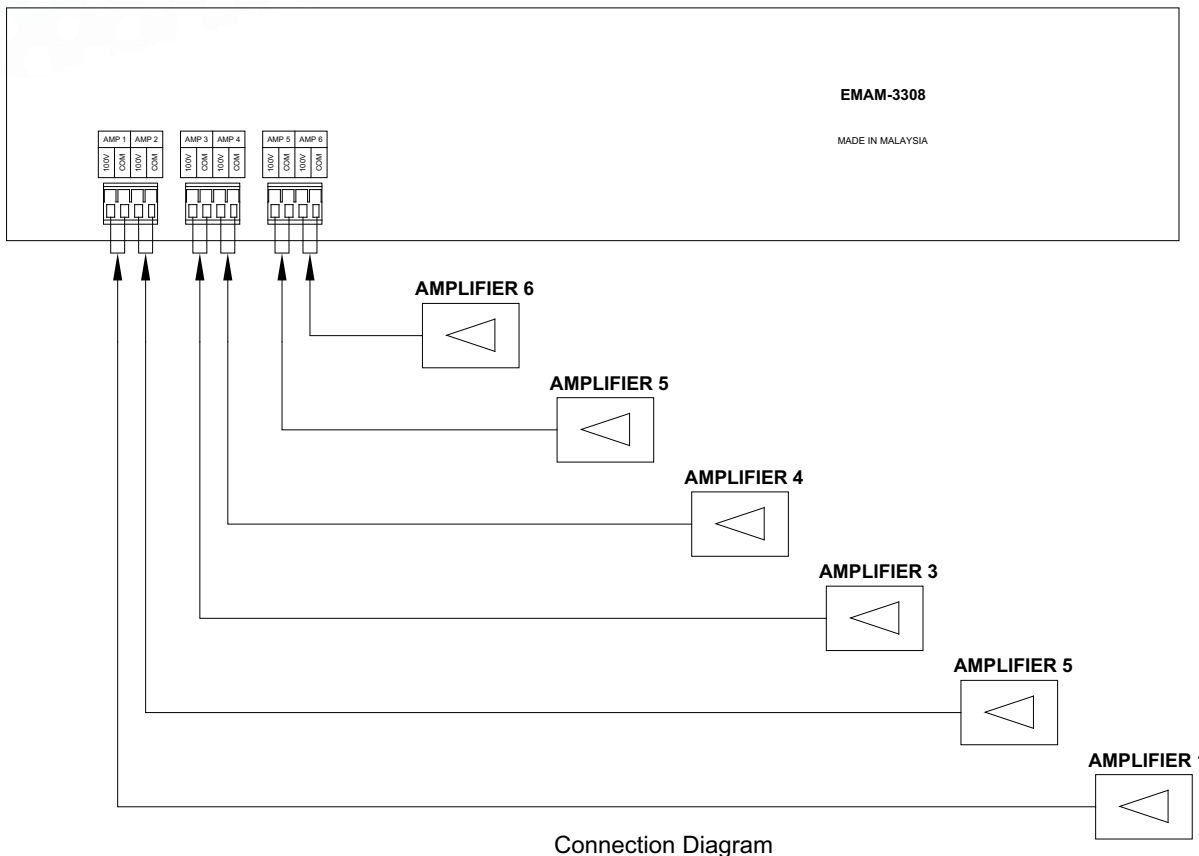
The inbuilt speaker has 5 steps volume control and can be switch off when necessary.

Audio Level Displayed Through Analog VU Meter

An analog VU meter shows strength of the signal produce by the selected amplifier. The VU meter has an inbuilt backlight led which allows for convenient observation at all times.

TECHNICAL SPECIFICATIONS

Vu Meter Back Light - Voltage	24VDC
Vu Meter Back Light - Current Consumption Input	10mA
AMPLIFIER INPUT	100Vrms
Number Of Amplifier Monitored	6
Front Panel Control	2 Rotary Selector (Amplifier Selector, Volume Control)
Dimension (W X H X D)	430mm X 80mm X 119mm
Weight	2.2Kg(Max)
Front Panel Indicator	Vu Meter



Connection Diagram



Specifications and design are subjected to change without notice for improvements.