



Professional Public Address System

EMRM-810 Indirect Speaker Selector



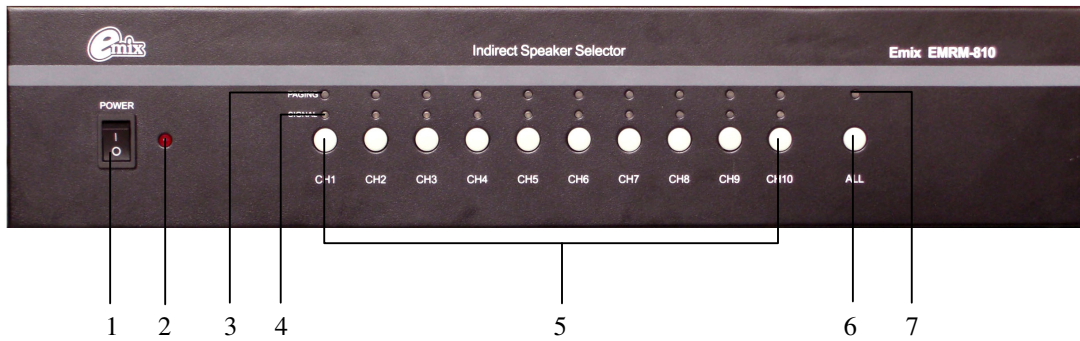
OWNER'S MANUAL

Before operating, please read this manual completely.

FEATURES:

- Professional distributor for paging.
- 10 inputs.
- 10 paging channels.
- 10 outputs.
- 10 EMRM-810 can be linked at most, they can be recognized by binary code.
- 4 paging microphones with 4 classes priority as MIC1>MIC2>MIC3>MIC4.
- +24V DC power supply.

FRONT PANEL:



1. AC power switch
2. Power Indicator Light (LED is bright when press Power Switch)
3. PAGING indicator(inputs active)
4. SIGNAL indicator (output active)
5. CH1-10 Channel Select Key
6. All call button
7. All call indicator

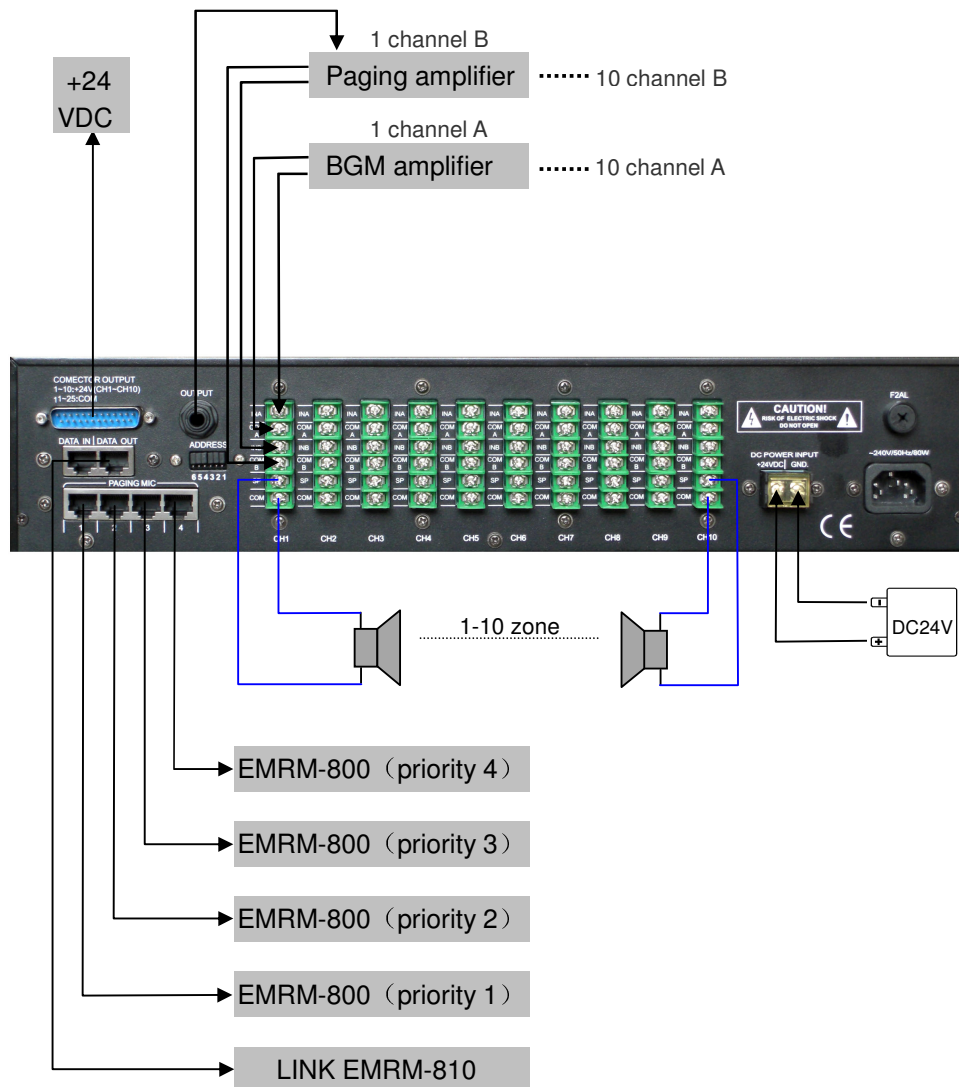
REAR PANEL AND CONNECTIONS:



1. MIC inputs: 4pcs of EMRM-800 can be connected.
2. COM of outputs, connecting to the COM of speaker.
3. Audio outputs, connecting to the HOT of speaker.
4. +24V DC power supply.
5. AC power supply.
6. Data communication:

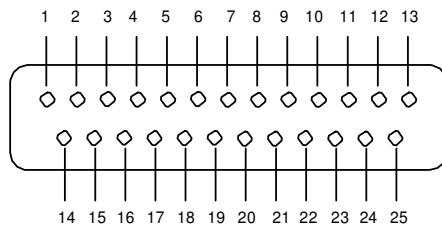
7. +24V DC serial output: total power should be less than 20W.
8. Address setting: binary code for recognizing 10 units of EMRM-810.
9. Audio output : to pre. amplifier or amplifier
10. COM terminal of BGM input, connecting to the COM of amplifier.
11. HOT terminal of BGM input, connecting to the HOT of amplifier.
12. HOT terminal of audio input, connecting to the HOT of paging amplifier.
13. COM terminal of audio input, connecting to the COM of paging amplifier.
14. AC FUSE.

CONNECTION:



NOTE: EMRM-810 will be uploaded to the state for the four paging (EMRM-800), the only state in the 1st paging-on instructions, the other three paging refused to EMRM-810 state impact.

ALARM INPUT (connect with Fire Center)



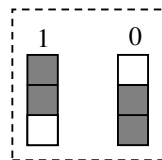
1-10: +24V DC outputs

11-25: COM

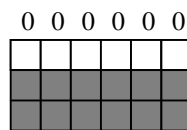
Operation:

1. Address setting:

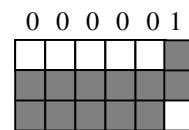
For dividing 10 units of EMRM-810, we design 6 address codes on the rear panel and recognize them by binary system. Please refer to the pictures below: There are 3 pins in each address code, it means "1" of binary system while the upper two pins are connected together; it means "0" of binary system while the nether two pins connected together (Per fig.1). Please note that address code of 1st EMRM-810 is 000000 (Per fig.2). The address code of 2nd EMRM-810 is 000001(Per fig.3). Please refer to the setting method of these two equipments while setting other EMRM-810 equipments. You can also refer to the "Address setting and binary code table".



(fig.1)



(fig.2)



(fig.3)

Address setting and binary code table

EMRM-810	Address code	EMRM-810	Address code
No.1	000000	No.6	000101
No.2	000001	No.7	000110
No.3	000010	No.8	000111
No.4	000011	No.9	001000
No.5	000100	No.10	001001

2. Operation of the CH1-10 select key:

- The “PAGING” indicator LED is bright when you pressed the channel select key. The equipment will send out the paging signal which comes from the paging microphone, this namely the zone is under PAGING state. By contraries, the output indicator “SIGNAL” is off when there is not output signal. Pressing the select key again, the “PAGING” LED will be off, the BGM signal will be sent out again, that means the equipment is sending out the back ground music.
- Press down the “ALL” key, the whole system and the LED indicator will be activated, the equipment is under all call paging state. It will return to BGM state if you press the “ALL” key again. 24V output from the relative feet of the 25-pin plugs.
- There are 4 at the most paging microphone can be connected on the rear panel, only ONE paging microphone can page at the same time. The priority class is : MIC1>MIC2>MIC3>MIC4. When the higher priority microphone is paging, the lower priority microphone can not page and the MIC indicator LED will wink.
- MRM810 will send the unfold or closed signal to the paging selector in working estate, the signal will be sent to the 1st paging selector when 4 paging selectors are not in working estate.

SPECIFICATION:

No. of Channel	10
Input capacity	70-100V, 10A
Output capacity	70-100V, 5A
Alarm Signal	5V-24V, 0V (short circuit)
Protection	AC fuse × 1
Power Source	AC 240V/50Hz
Spare Power	DC24V (each ouputs should be <2W in 10 ouputs)
Dimensions	485 × 88 × 345mm
Gross weight	7.2kg
Net weight	5.6kg

CAUTION

- For safety, please pull out power cord from socket when “Power switch” is off if the equipment is not used. Please keep the equipment out of water.
- To reduce the risk of electric shock, do not remove the cover.
- Please contact us or authorized dealers for repair stuff.